

■ 结构特点及用途

- 1、全关时手轮按顺时针方向旋转。
- 2、可以安装在管道的任何位置上，介质从下往上流。
- 3、不锈钢截止阀适用于各类腐蚀性介质的管道上，有良好的防腐性和足够的强度。
- 4、合金钢截止阀适用于耐高温的蒸汽、油品管道上，具有耐高温特点。

■ Structure feature and usages

- 1、When fully closed, handwheel rotates clockwise.
- 2、Able to be mounted to any position of the pipeline, the medium flows from down to up.
- 3、Stainless steel made globe valve is of good anti-corrosive property and enough strength and suitable for various pipelines with corrosive medium.
- 4、Alloy steel made globe valve features high-temperature resistance, suitable for high-temperature steam and oil goods pipeline.

■ 设计、制造标准

- 1、设计制造按JB/T 12235-2007
- 3、法兰连接尺寸按：JB/T 79-94
- 4、阀门检查和试验按GB/T 13927-2008

■ Standard for design and manufacture

- 1、Design manufacture according to GB/T 12235-2007
- 2、Flange dimension according to JB/T 79-94
- 3、Valve check and test according to GB/T 13927-2008

■ 试验压力 Test pressure

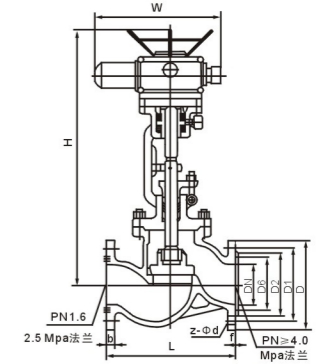
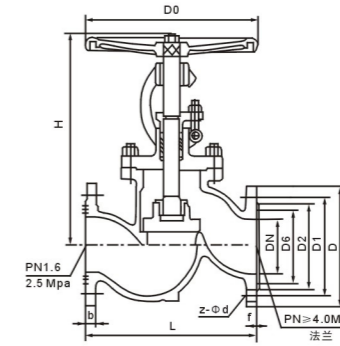
公称压力PN (MPa) Nominal Pressure	1.6	2.5	4.0	6.4	10.0	16.0
壳体强度试验 Shell strength test	2.4	3.75	6.0	9.6	15	24
上密封试验 Back seal test	1.76	2.75	4.4	7.04	11	17.6
密封试验 Seal test (Mpa)	1.76	2.75	4.4	7.04	11	17.6

■ 使用范围 Applicable

产品类型 Product type	适用介质 Suitable medium	适用温度 (°C) Suitable medium
J41W-C型 J941W-C型	水、蒸汽、油品 Water, steam, oil goods	≤425°C
J41W-P型 J941W-P型	硝酸类 Nitric acid	≤200°C
J41W-R型 J941W-R型	醋酸类 Acetic acid	≤200°C
J41Y-I型 J941Y-I型	水、蒸汽、油品 Water, steam, oil goods	≤550°C

■ 主要零件材料 Material for main parts

产品类型 Product type	零件名称 Part name							
	阀体、阀盖 Body, Bonnet	阀杆 Valve stem	阀瓣 Disc	密封面 Sealing face	阀杆螺母 Yoke nut	填料 Packing	紧固件 Fastener	手轮 Handwheel
J41W-C型 J941W-C型	25.WCB	铬不锈钢Cr. Stainless steel	2Cr1325	H: 不锈钢 Y: 钴基硬质合金钢 H: Stainless steel Y: Co-based carbide alloy steel	ZQA19-4 铝青铜 Al bronze	柔性石墨 Flexible graphite	优质碳钢 High-grade carbon steel	可锻铸钢 Forgeable cast-steel
J41W-P型 J941W-P型	铬镍钛钢 Cr.Ni.Ti.steel	铬镍钛钢 Cr.Ni.Ti.steel	铬镍钛钢 Cr.Ni.Ti.steel	铬镍钛钢 Cr.Ni.Ti.steel	ZQA19-4 铝青铜 Al bronze	柔性石墨 Flexible graphite	不锈钢 Stainless steel	可锻铸钢 Forgeable cast-steel
J41W-R型 J941W-R型	铬镍钛钢 Cr.Ni.Ti.steel	铬镍钛钢 Cr.Ni.Ti.steel	铬镍钛钢 Cr.Ni.Ti.steel	铬镍钛钢 Cr.Ni.Ti.steel	ZQA19-4 铝青铜 Al bronze	柔性石墨 Flexible graphite	不锈钢 Stainless steel	可锻铸钢 Forgeable cast-steel
J41Y-I型 J941Y-I型	铬钼钢 Cr.Mo.steel	铬钼钢 Cr.Mo.steel	合金钢 Alloy steel	钴基硬质合金钢 Co-based carbide alloy steel	ZQA19-4 铝青铜 Al bronze	柔性石墨 Flexible graphite	合金钢 Alloy steel	可锻铸钢 Forgeable cast-steel



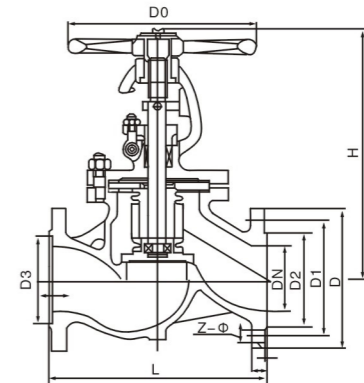
■ 主要外形及连接尺寸 Main external and connecting dimension(mm)

公称口径 DN Nominal diameter	J41W-16 J41W-16P J41W-16R J41W-16I J941W-16 J941W-16R J941Y-16I												
	主要外形尺寸及连接尺寸 (mm) Main external dimensions and connecting dimensions												
	L	D	D ₁	D ₂	b	F	z-φd	H手	H电	D ₀	电动装置 Electric device		
10	130	90	60	40	14	2	4-φ14	198	-	120	Z B5		
15	130	95	65	45	14	2	4-φ14	218	-	120	Z B5		
20	150	105	75	55	14	2	4-φ14	258	-	140	Z B5		
25	160	115	85	65	14	2	4-φ14	275	-	160	Z B5		
32	180	135	100	78	16	2	4-φ18	280	-	180	Z B15		
40	200	145	110	85	16	3	4-φ18	330	-	200	Z B15		
50	230	160	125	100	16	3	4-φ18	350	645	240	Z B15		
65	290	180	145	120	18	3	4-φ18	355	690	280	Z B15		
80	310	195	160	135	20	3	8-φ18	400	715	280	Z B15		
100	350	215	180	155	22	3	8-φ18	415	770	320	Z B20		
125	400	245	210	185	24	3	8-φ18	460	780	360	Z B40		
150	480	280	240	210	26	3	8-φ23	510	875	400	Z C45		
200	600	335	295	265	28	3	12-φ23	710	967	450	Z C60		
250	650	405	355	320	30	3	12-φ25	786	-	500	Z C90		
300	750	460	410	375	34	4	16-φ25	925	-	500	Z C120		
公称口径 DN Nominal diameter	J41W-25 J41W-25P J41W-25R J41W-25I J941W-25 J941W-25R J941Y-25I												
	主要外形尺寸及连接尺寸 (mm) Main external dimensions and connecting dimensions												
	L	D	D ₁	D ₂	b	F	z-φd	H手	H电	D ₀	电动装置 Electric device		
10	130	90	60	40	16	2	4-φ14	198	-	120	Z B5		
15	130	95	65	45	16	2	4-φ14	218	-	120	Z B5		
20	150	105	75	55	16	2	4-φ14	258	-	140	Z B5		
25	160	115	85	65	16	2	4-φ14	275	-	160	Z B5		
32	180	135	100	78	18	2	4-φ18	280	-	180	Z B15		
40	200	145	110	85	18	3	4-φ18	330	-	200	Z B15		
50	230	160	125	100	20	3	4-φ18	350	645	240	Z B15		
65	290	180	145	120	22	3	8-φ18	355	690	280	Z B15		
80	310	195	160	135	22	3	8-φ18	400	715	280	Z B15		
100	350	230	190	160	24	3	8-φ23	415	770	320	Z B20		
125	400	270	220	188	28	3	8-φ25	460	780	360	Z B40		
150	480	300	250	218	30	3	8-φ25	510	875	400	Z C45		
200	600	360	310	278	34	3	12-φ25	710	967	400	Z C60		
250	650	425	370	332	36	3	12-φ30	786	-	450	Z C90		
300	750	485	430	390	40	4	16-φ30	925	-	500	Z C120		
公称口径 DN Nominal diameter	J41W-40 J41W-40P J41W-40R J41W-40I J941W-40 J941W-40R J941Y-40I												
	主要外形尺寸及连接尺寸 (mm) Main external dimensions and connecting dimensions												
	L	D	D ₁	D ₂	D ₆	B	f	f ₂	z-φd	H手	H电	D ₀	电动装置 Electric device
10	130	90	60	40	35	16	2	4	4-φ14	198	-	120	Z B5
15	130	95	65	45	40	16	2	4	4-φ14	233	-	120	Z B5
20	150	105	75	55	51	16	2	4	4-φ14	275	-	140	Z B5
25	160	115	85	65	58	16	2	4	4-φ14	285	-	160	Z B5
32	180	135	100	78	66	18	2	4	4-φ18	302	-	180	Z B5
40	200	145	110	85	76	18	3	4	4-φ18	355	-	200	Z B15
50	230	160	125	100	88	20	3	4	4-φ18	373	645	240	Z B15
65	290	180	145	120	110	22	3	4	8-φ18	408	690	280	Z B15
80	310	195	160	135	121	22	3	4	8-φ18	436	715	320	Z B20
100	350	230	190	160	150	24	3	4.5	8-φ23	480	770	360	Z B40
125	400	270	220	188	176	28	3	4.5	8-φ25	558	782	400	Z C45
150	480	300	250	218	204	30	3	4.5	8-φ25	611	875	400	Z C60
200	600	375	320	282	260	38	3	4.5	12-φ30	720	1160	400	Z C90

■主要外形及连接尺寸 Main external and connecting dimension

(mm)

公称通径 DN Nominal diameter	L	D	D ₁	D ₂	D ₆	b	f	f ₂	z-Φd	H _手	H _电	D ₀	电动装置 Electric device
J41Y-64 J41W-64 _R J41Y-64I J941H-64 J941Y-64 _R J941Y-64I													
10	170	100	70	50	35	18	2	4	4-Φ14	195	-	120	Z B5
15	170	105	75	55	40	18	2	4	4-Φ14	198	-	140	Z B5
20	190	125	90	68	51	20	2	4	4-Φ18	228	-	160	Z B5
25	210	135	100	78	58	22	2	4	4-Φ18	275	-	180	Z B5
32	230	150	110	82	66	24	2	4	4-Φ23	325	-	200	Z B5
40	260	165	125	95	76	24	3	4	4-Φ23	360	-	240	Z B15
50	300	175	135	105	88	26	3	4	4-Φ23	410	710	280	Z B15
65	340	200	160	130	110	28	3	4	8-Φ23	450	750	320	Z B15
80	380	210	170	140	121	30	3	4	8-Φ23	485	785	360	Z B40
100	430	250	200	168	150	32	3	4.5	8-Φ25	537	837	400	Z C45
125	500	295	240	202	176	36	3	4.5	8-Φ30	631	-	400	Z C60
150	550	340	280	240	204	38	3	4.5	8-Φ34	646	-	450	Z C90
200	650	405	345	300	260	44	3	4.5	12-Φ34	813	-	500	Z C120
J41Y-100 J41W-100 _R J41Y-100I J941Y-100 J941W-100 _R J941Y-100I													
10	170	100	70	50	35	20	2	4	4-Φ14	198	-	120	Z B5
15	170	105	75	55	40	20	2	4	4-Φ14	202	-	140	Z B5
20	190	125	90	68	51	22	2	4	4-Φ18	228	-	160	Z B5
25	210	135	100	78	58	24	2	4	4-Φ18	250	-	180	Z B15
32	230	150	110	82	66	24	2	4	4-Φ23	326	-	220	Z B15
40	260	165	125	95	76	26	3	4	4-Φ23	359	-	240	Z B15
50	300	195	145	112	88	28	3	4	4-Φ25	414	710	280	Z B15
65	340	220	170	138	110	32	3	4	8-Φ25	434	750	320	Z B20
80	380	230	180	148	121	34	3	4	8-Φ25	547	785	400	Z B30
100	430	265	210	172	150	38	3	4.5	8-Φ30	621	837	450	Z C45
125	500	310	250	210	176	42	3	4.5	8-Φ34	732	-	450	Z C60
150	550	350	290	250	204	46	3	4.5	12-Φ34	840	-	500	Z C120
200	650	430	360	312	260	54	3	4.5	12-Φ41	925	-	550	Z C180
J41Y-160 J41W-160 _R J41Y-160I J941Y-160 J941W-160 _R J941Y-160I													
15	170	110	75	52	40	24	2	4	4-Φ18	148	-	140	Z B15
20	190	130	90	62	51	26	2	4	4-Φ23	156	-	160	Z B15
25	210	140	100	72	58	28	2	4	4-Φ23	125	-	180	Z B20
32	230	165	115	85	66	30	2	4	4-Φ25	200	-	200	Z B20
40	260	175	125	92	76	32	3	4	4-Φ27	231	-	240	Z B40
50	300	215	165	132	88	36	3	4	8-Φ25	262	-	250	Z C60
65	340	245	190	152	110	44	3	4	8-Φ30	303	-	320	Z C60
80	380	260	205	168	121	46	3	4	8-Φ30	341	-	400	Z C90
100	430	300	240	200	150	48	3	4.5	8-Φ34	485	-	450	Z C120



■主要外形及连接尺寸 Main external and connecting dimension

(mm)

公称通径DN Nominal diameter	L	D	D ₁	D ₂	D ₃	b	f	f ₁	D ₀	H	z-Φ
WJ41H-1.6(16)											
15	130	95	65	46	-	14	2	-	100	236	4-Φ14
20	150	105	75	56	-	16	2	-	100	242	4-Φ14
25	160	115	85	65	-	16	3	-	125	286	4-Φ14
32	180	140	100	78	-	18	3	-	125	295	4-Φ18
40	200	150	110	85	-	18	3	-	150	330	4-Φ18
50	230	165	125	100	-	20	3	-	150	350	4-Φ18
65	290	185	145	120	-	22	3	-	200	400	4-Φ18
80	310	200	160	135	-	24	3	-	200	430	8-Φ18
100	350	215	180	155	-	24	3	-	250	465	8-Φ18
125	400	245	210	185	-	26	3	-	250	505	8-Φ18
150	480	280	240	210	-	28	3	-	300	613	8-Φ23
200	600	335	295	265	-	30	3	-	420	714	12-Φ23
250	730	405	355	320	-	32	3	-	500	810	12-Φ25
300	850	460	410	375	-	34	4	-	670	910	12-Φ25
WJ41H-2.5(25)											
15	130	95	65	46	-	14	2	-	100	236	4-Φ14
20	150	105	75	56	-	16	2	-	100	242	4-Φ14
25	160	115	85	65	-	16	3	-	125	286	4-Φ14
32	180	140	100	76	-	18	3	-	125	295	4-Φ18
40	200	150	110	84	-	18	3	-	150	330	4-Φ18
50	230	165	125	99	-	20	3	-	150	350	4-Φ18
65	290	185	145	118	-	22	3	-	200	400	8-Φ18
80	310	200	160	132	-	24	3	-	200	430	8-Φ18
100	350	235	190	156	-	24	3	-	250	465	8-Φ22
125	400	270	200	184	-	26	3	-	250	505	8-Φ26
150	480	300	250	211	-	28	3	-	300	613	8-Φ26
200	600	360	320	274	-	30	3	-	420	714	12-Φ26
250	730	425	370	330	-	32	3	-	500	810	12-Φ30
300	850	485	430	389	-	34	4	-	670	910	16-Φ30
WJ41H-4.0(40)											
15	130	95	65	45	40	16	2	4	100	236	4-Φ14
20	150	105	75	55	51	16	2	4	100	242	4-Φ14
25	160	115	85	65	58	16	2	4	125	286	4-Φ14
32	180	135	100	78	66	18	2	4	125	295	4-Φ18
40	200	145	110	85	76	18	3	4	150	330	4-Φ18
50	230	160	125	100	88	18	3	4	150	350	4-Φ18
65	290	180	145	120	110	20	3	4	200	400	8-Φ18
80	310	195	160	135	121	22	3	4	200	430	8-Φ18
100	350	230	190	160	150	24	3	4.5	250	465	8-Φ23
125	400	270	220	188	176	28	3	4.5	250	505	8-Φ25
150	480	300	250	218	204	30	3	4.5	300	613	8-Φ25
200	600	385	320	252	260	38	3	4.5	420	714	12-Φ32
250	730	445	385	345	313	42	3	4.5	500	810	12-Φ34
300	850	510	450	408	364	46	4	4.5	670	910	16-Φ34

■ 特点及用途

该产品严格按API标准进行设计、制造和验收，结构紧凑、密封可靠、操作灵活，适用于石油化工、电力、冶金、纺织等工业部门。

■ Features and usahe:

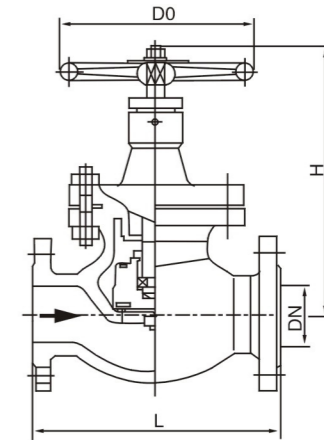
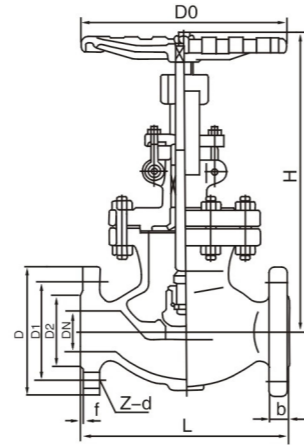
This product is produced in accordance with API standard in design, manufacturing and checking;it is compact in pattern, reliable in sealing and easy to operate;it is used in petroleum,chemical,electric power,textile, metallregy and other industries.

■ 试验压力 Test pressure

试验压力 (Mpa) Testpressure		公称压力 (Lb) Nominal pressure		
		150Lb	300Lb	600Lb
壳体强度试验 Shell strength test	水 Water	3.1	7.8	15
高压密封试验 Seal test		2.2	5.6	11
上密封试验 Back sealtest		2.2	5.6	11
低压密封试验 Seal test	空气Air	0.5~0.7		

■ 主要零件材料及适用工况 Material for main parts

阀体材料 Material valve	WCB(C)	CF8(P)	CF8M(R)	WC6 WC9(V)	CF3(P)	CF3M(R)
工作温度 Working temperature	≤425	≤275	≤275	≤550	≤200	≤200
适用介质 Applicable medium	水、蒸汽、油品 Water,steam,oil	硝酸类 Nitric acid	醋酸类 Acetic acid	水、蒸汽 Water,steam	酸碱 Acid alkali	酸碱 Acid alkali



■ 主要性能规范 Chief property and specification

型号 Type	公称压力PN (MPa) Noninal pressure	适用温度 (°C) Applicable temperature	适用介质 Applicable medium	材料 Material					
				阀体、阀盖 Body, Bonnet	阀瓣Disc	密封面seal ring	阀杆stem	填料Packing	阀杆螺母 Yoke nut
J41B-25	2.5	-40~150	氨、氨液	碳钢Carbon steel	碳钢Carbon steel	巴氏合金	不锈钢Stainless steel	聚四氟乙烯	铜合金

设计标准Design standard API600法兰标准化Flange standard ANSI B 16.5 结构长度Fale to face ANSI B16.10试验标准Test standard API598

■ 主要尺寸及重量 Main dimensions and weight

公称通径Nominal diameter		单位 Unit	主要外形尺寸和连接尺寸 (mm) Main external and connecting dimensions									重量(kg) Weight
in	mm		L	D	D ₁	D ₂	b	f	z-Φd	D ₀	H	
API 150Lb												
2"	50	in	8.00	6.00	4.75	3.62	0.75	0.06	4-Φ0.75	7.09	13.78	24
		mm	203	152	120.7	92	19.5	1.6	4-Φ19	180	350	
3"	80	in	9.5	7.50	6.00	5.00	0.94	0.06	4-Φ0.75	11.02	15.91	38
		mm	241	190.5	152.5	127	24	1.6	4-Φ19	280	404	
4"	100	in	11.50	9.00	7.50	6.19	0.94	0.06	8-Φ0.75	11.02	17.87	54
		mm	292	229	190.5	157	24	1.6	8-Φ19	280	454	
6"	150	in	16.00	11.00	9.50	8.50	1.00	0.06	8-Φ0.88	12.60	19.33	104
		mm	406	279	241.5	216	25.5	1.6	8-Φ22.5	320	491	
8"	200	in	19.50	13.50	11.75	10.62	1.12	0.06	8-Φ0.88	14.17	21.54	133
		mm	495	343	298.5	270	29	1.6	8-Φ22.5	360	547	
API 300Lb												
2"	50	in	10.50	6.50	5.00	3.62	0.88	0.06	8-Φ0.75	7.78	16.30	34
		mm	267	165	127	92	22.5	1.6	8-Φ19	200	414	
2 1/2"	65	in	11.50	7.50	5.88	4.12	1.00	0.06	8-Φ0.88	9.45	18.35	46
		mm	292	190.5	149.3	1.5	25.5	1.6	8-Φ22.5	240	466	
3"	80	in	12.50	8.25	6.62	5.00	1.12	0.06	8-Φ0.88	11.02	18.35	56
		mm	318	210	168	127	29	1.6	8-Φ22.5	280	466	
4"	100	in	14.00	10.00	7.88	6.19	1.25	0.06	8-Φ0.88	12.60	20.79	80
		mm	356	254	200	157	32	1.6	8-Φ22.5	320	528	
6"	150	in	17.50	12.50	10.62	8.50	1.44	0.06	12-Φ0.88	17.32	26.70	154
		mm	445	317.5	269.7	216	37	1.6	12-Φ22.5	440	678	
8"	200	in	22	15	13	10.62	1.62	0.06	12-Φ100	19.68	29.5	310
		mm	559	381	330	270	41	1.6		500	750	
API 600Lb												
2"	50	in	11.5	6.5	5	3.62	1	1	8-Φ0.75	9.78	16.93	32
		mm	292	165	127	92.1	26	26	8-Φ20	250	430	
3"	80	in	14	8.25	6.62	5	1.25	1.25	8-Φ0.97	14	20.87	60
		mm	356	210	168.3	127	32	32	8-Φ23	355	530	
4"	100	in	17	10.75	8.5	6.18	1.5	1.5	8-Φ1.00	17.75	25.56	100
		mm	432	273	216	157.2	38.1	38.1	8-Φ25	450	650	
6"	150	in	22.00	14.00	11.50	8.5	1.87	1.87	12-Φ1.12	22.00	33.43	190
		mm	559	356	292	216	48	48	12-Φ29	560	850	
8"	200	in	26.00	16.50	13.75	10.62	2.18	2.18	12-Φ1.25	24.81	41.31	310
		mm	660	419	350	270	55.6	55.6	12-Φ32	630	1050	

■ 主要外形及连接尺寸 Main external and connecting dimension(mm)

型号 Type	公称通径DN Noninal diameter	L	H	D	D ₁	D ₂	b	f	z-Φd	D ₀
J41B-16	15	130	207	95	65	45	16	2	4-Φ14	120
	20	150	217	105	75	55	16	2	4-Φ14	140
	25	160	219	115	5	65	16	2	4-Φ14	160
	32	190	280	135	100	78	18	2	4-Φ18	180
	40	200	330	145	110	85	18	3	4-Φ18	200
	50	230	350	160	125	100	20	3	4-Φ18	240
	65	290	400	180	145	120	22	3	4-Φ18	280
	80	310	430	195	160	135	22	3	8-Φ18	320
	100	350	465	215	180	155	24	3	8-Φ18	360
	125	400	502	245	210	185	28	3	8-Φ18	400
J41B-25	15	130	207	95	65	45	16	2	4-Φ14	120
	20	150	217	105	75	55	16	2	4-Φ14	140
	25	160	219	115	5	65	16	2	4-Φ14	160
	32	190	280	135	100	78	18	2	4-Φ18	180
	40	200	330	145	110	85	18	3	4-Φ18	200
	50	230	350	160	125	100	20	3	4-Φ18	240
	65	290	400	180	145	120	22	3	8-Φ18	280
	80	310	430	195	160	135	22	3	8-Φ18	320
	100	350	465	230	190	160	24	3	8-Φ23	360
	125	400	502	270	220	88	28	3	8-Φ25	400
J41B-25	150	480	560	300	250	218	30	3	8-Φ25	440
	200	600	580	360	310	278	34	4	12-Φ30	480